

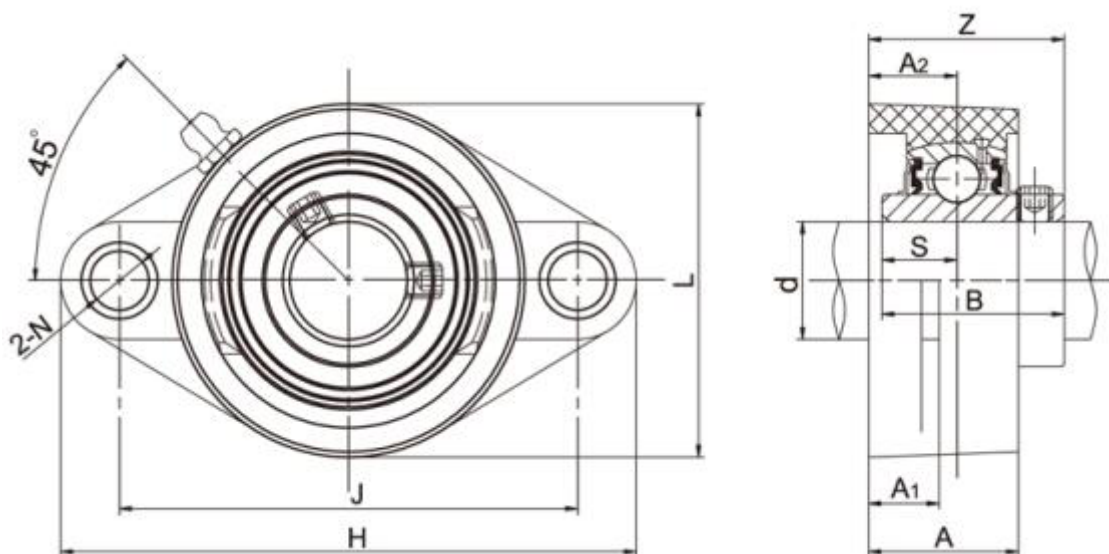
Data Sheet



Article number: 54810642083

Description: 2 hole Flange Unit TP-SUCFL208 for shaft $\varnothing 40\text{mm}$
Insert stainless steel, housing Thermoplastic green

Measures



A = 37.5	L = 101
A1 = 20	N = 14
A2 = 21.5	S = 19
B = 49.2	Z = 51.7
Bolt = M12	
d = 40	
H = 176	
J = 144	